

EATON

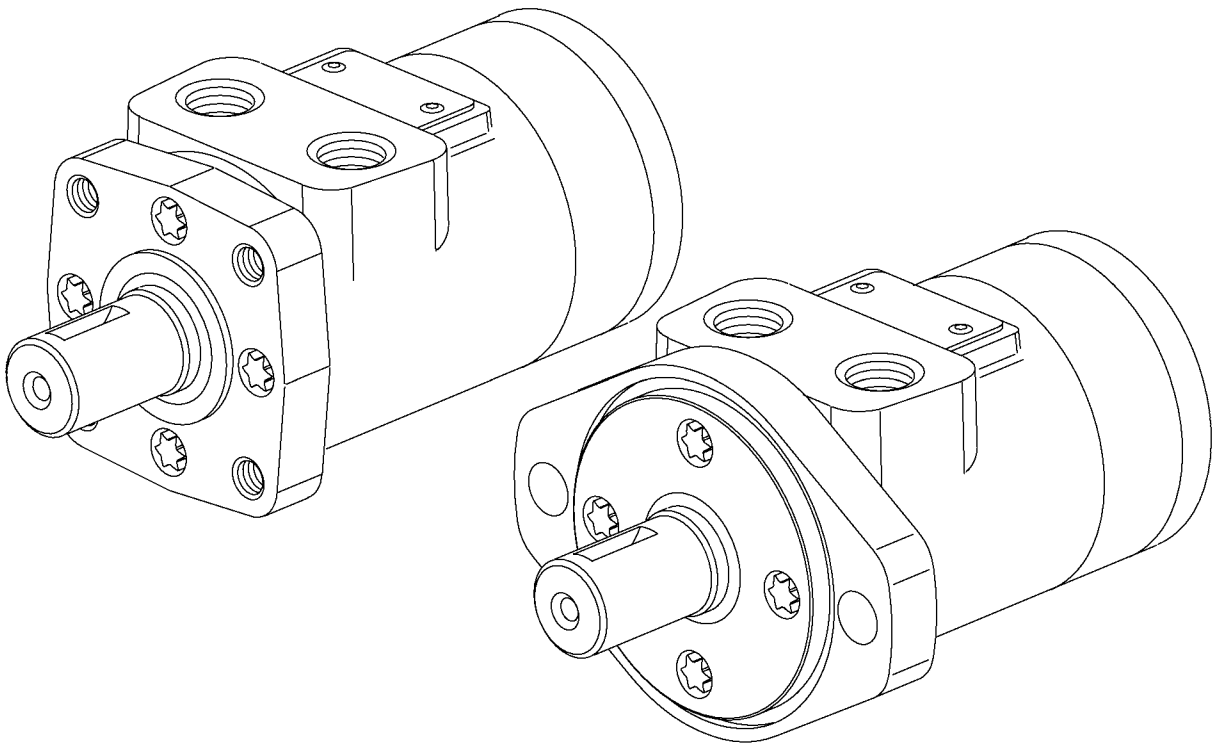
Char-Lynn®

Hydraulic Motors

General Purpose
H Series Motors

007 008 009

Parts Information



Char-Lynn General Purpose Motors — H Series

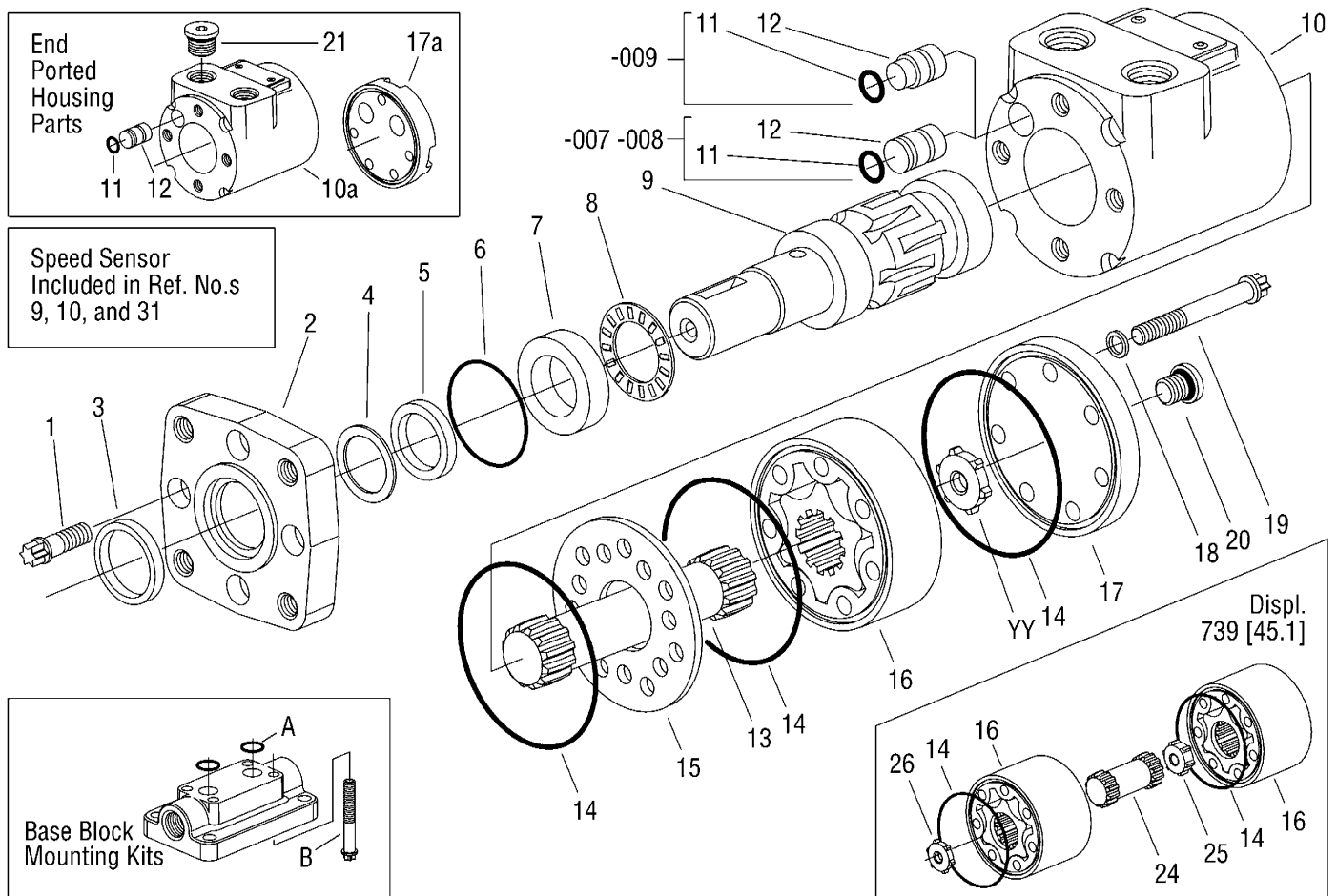


-007 Design Code

Displ. cm ³ /r [in ³ /r]	Ref. No. 13		Ref. No. 16		Ref. No. YY		Ref. No. 19	
	Drive	Length mm [in.]	Gerotor	Width mm [in.]	Spacer	Width mm [in.]	Screw, Cap	Length mm [in.]
49 [3.0]	602-000	76,2 [3.00]	8277-001	6,4 [.25]	N/A		16294-150	38,1 [1.50]
74 [4.5]	602-000	76,2 [3.00]	8277-002	9,7 [.38]	N/A		16294-162	41,4 [1.62]
102 [6.2]	616-000	81,8 [3.22]	8277-003	13,2 [.52]	N/A		16294-175	44,5 [1.75]
169 [10.3]	616-000	81,8 [3.22]	8277-004	21,8 [.86]	6901-002	7,9 [.31]	16294-212	54,1 [2.12]
195 [11.9]	616-000	81,8 [3.22]	8277-005	25,4 [1.00]	6901-003	12,2 [.48]	16294-225	57,1 [2.25]
244 [14.9]	616-000	81,8 [3.22]	8277-006	31,7 [1.25]	6901-005	18,5 [.73]	16294-250	63,5 [2.50]
277 [16.9]	616-000	81,8 [3.22]	8277-007	38,1 [1.50]	6901-006	24,9 [.98]	16294-275	69,8 [2.75]
390 [23.8]	616-000	81,8 [3.22]	8277-008	50,8 [2.00]	6901-008	37,6 [1.48]	16294-325	82,6 [3.25]

-008 Design Code

Displ. cm ³ /r [in ³ /r]	Ref. No. 13		Ref. No. 16		Ref. No. YY		Ref. No. 19	
	Drive	Length mm [in.]	Gerotor	Width mm [in.]	Spacer	Width mm [in.]	Screw, Cap	Length mm [in.]
49 [3.0]	602-000	76,2 [3.00]	8277-001	6,4 [.25]	N/A		16294-150	38,1 [1.50]
74 [4.5]	602-000	76,2 [3.00]	8277-002	9,7 [.38]	N/A		16294-162	41,4 [1.62]
102 [6.2]	616-000	81,8 [3.22]	8277-003	13,2 [.52]	N/A		16294-175	44,5 [1.75]
169 [10.3]	8664-000	91,7 [3.61]	8277-004	21,8 [.86]	N/A		16294-212	54,1 [2.12]
195 [11.9]	8664-000	91,7 [3.61]	8277-005	25,4 [1.00]	6901-009	3,4 [.14]	16294-225	57,1 [2.25]
244 [14.9]	8664-000	91,7 [3.61]	8277-006	31,7 [1.25]	6901-002	7,9 [.31]	16294-250	63,5 [2.50]
277 [16.9]	8634-000	107,4 [4.24]	8277-007	38,1 [1.50]	N/A		16294-275	69,8 [2.75]
390 [23.8]	8634-000	107,4 [4.24]	8277-008	50,8 [2.00]	6901-004	14,0 [.55]	16294-325	82,6 [3.25]



H Series Motors

-009 Design Code

Displ. cm ³ /r [in ³ /r]	Ref. No. 13		Ref. No. 16		Ref. No. YY		Ref. No. 19	
	Drive	Length mm [in.]	Gerotor	Width mm [in.]	Spacer	Width mm [in.]	Screw, Cap	Length mm [in.]
37 [2.2]	602-000	76,2 [3.00]	21850-022	6,4 [.25]	N/A		16294-150	38,1 [1.50]
46 [2.8]	602-000	76,2 [3.00]	8277-001	6,4 [.25]	N/A		16294-150	38,1 [1.50]
59 [3.6]	22250-000	80,0 [3.15]	21850-023	10,2 [.40]	N/A		16294-162	41,1 [1.62]
74 [4.5]	22250-000	80,0 [3.15]	8277-024	10,2 [.40]	N/A		16294-162	41,1 [1.62]
96 [5.9]	616-000	81,8 [3.22]	8277-003	13,2 [.52]	N/A		16294-175	44,5 [1.75]
120 [7.3]	22251-000	86,4 [3.40]	8277-009	16,5 [.65]	N/A		16294-188	47,8 [1.88]
146 [8.9]	22252-000	89,9 [3.54]	8277-020	20,1 [.79]	N/A		16294-200	50,8 [2.00]
159 [9.7]	8664-000	91,7 [3.61]	8277-004	21,8 [.86]	N/A		16294-212	53,8 [2.12]
185 [11.3]	22189-000	95,8 [3.77]	8277-005	25,4 [1.00]	N/A		16294-225	57,1 [2.25]
231 [14.1]	22190-000	102,1 [4.02]	8277-025	31,7 [1.25]	N/A		16294-250	63,5 [2.50]
293 [17.9]	22253-000	110,5 [4.35]	8277-026	40,4 [1.59]	N/A		16294-288	73,2 [2.88]
370 [22.6]	22191-000	121,2 [4.77]	8277-027	50,8 [2.00]	N/A		16294-325	82,6 [3.25]
739 [45.1]	8634-000	107,4 [4.23]	21850-028 (2)	50,8 [2.00] (ea.)	(See Ref. 25 and 26)		16294-525	133,3 [5.25]

Ref. No.	Design Code/Part Number			Description	Quantity
	-007	-008	-009		
1	16292-088	16292-088	16292-088	Screw, Cap (6 Point (E10) Drive 5/16-24 UNF x 7/8)	4
2	7463-000	22000-001	22000-001	Flange Mounting (2 Bolt)	1
	7464-000	22000-002	22000-002	Flange Mounting (4 Bolt) 3/8-16 UNC	1
	—	22000-006	22000-006	Flange Mounting (4 Bolt) M10 x 1,5	1
	—	22000-004	22000-004	Flange Mounting (2 Bolt SAE B)	1
	—	22000-005	22000-005	Flange Mounting (4 Bolt Magneto)	1
X 3	9121-002	9121-002	9121-002	Seal, Exclusion	1
X 4	N/A	22002-000	22002-000	Washer, Backup	1
X 5	9057-001	9057-014	9057-014	Seal, Pressure	1
X 6	9091-001	9091-001	9091-001	Seal	1
7	7462-000	7462-000	7462-000	Race, Thrust Bearing	1
8	7537-000	7537-000	7537-000	Bearing, Thrust Needle	1
9	7360-001	7360-001	7360-001	Shaft, Output (1 in. Dia. Straight with Woodruff Key Slot)	1
			220879-001	Shaft, Output (1 in. Dia. Straight with Woodruff Key Slot — <i>Sensor Shaft</i>)	1
	7360-002	7360-002	7360-002	Shaft, Output (SAE 6B Splined)	1
	7360-007	7360-007	7360-007	Shaft, Output (1 in. Dia. Straight with .315 Dia. Crosshole)	1
	7360-008	7360-008	7360-008	Shaft, Output (1 in. Dia. Straight with .406 Dia. Crosshole)	1
	7360-024	7360-024	7360-024	Shaft, Output (25 mm Dia. Straight)	1
	7360-016	7360-016	7360-016	Shaft, Output (7/8 in. Dia. SAE B 13 T Splined)	1
	7360-017	7360-017	7360-017	Shaft, Output (7/8 in. Dia. Straight SAE B Straight)	1
	7360-018	7360-018	7360-018	Shaft, Output (1 in. Dia. Tapered)	1
	14193-000	14193-000	14193-000	Key, Woodruff (1 in. Dia. Straight Shaft)	1
	14193-000	14193-000	14193-000	Key, Woodruff (for Tapered Shaft)	1
	14391-004	14391-004	14391-004	Key, Straight (for 7/8 in. Dia. Shaft)	1
	14462-006	14462-006	14462-006	Key, Straight (for 25 mm Dia. Shaft)	1
14381-000	14381-000	14381-000	Nut (for Tapered Shaft)	1	

Continued on Next Page (Page 4)

Char-Lynn General Purpose Motors — H Series



Continued from Page 3

Ref. No.	Design Code/Part Number			Description	Quantity	
	-007	-008	-009			
10	7359-001	7359-001	22230-001	Housing, 7/8-14 O-ring Ports	1	
			201225-001	Housing, 7/8-14 O-ring Ports — <i>Sensor Housing</i>	1	
	7359-002	7359-002	22230-002	Housing, 1/2 NPTF Ports	1	
			201225-002	Housing, 1/2 NPTF Ports — <i>Sensor Housing</i>	1	
	7359-003	7359-003	22230-003	Housing, Manifold Ports (5/16-18 UNC)	1	
	7359-006	7359-006	22230-006	Housing, G 1/2 (BSP) Ports	1	
	7359-004	7359-004	22230-004	Housing, Manifold Ports (M8 x 1.5)	1	
10a	21388-000	21388-000	22294-001	Housing, End Ported Motor	1	
X 11	15007-000	15007-000	250001-011	O-ring	1	
12	8985-000	8985-000	22229-000	Plug	1	
13	*	*	*	Drive	1	
X 14	9086-002	9086-002	9086-002	Seal (Displ. 739 [45.1] — Qty. 4)	3	
15	7358-000	7358-000	7358-000	Plate, Spacer	1	
16	*	*	*	Gerotor (Displ. 739 [45.1] — Qty. 2)	1	
17	7461-000	7461-000	7461-000	Cap, End (without Port(s))	1	
	7611-000	7611-000	7611-000	Cap, End (with 7/16-20 O-ring Drain Port)	1	
	21779-000	21779-000	21779-000	Cap, End (with G 1/4 (BSP) Drain Port)	1	
17a	21387-001	21387-001	21387-001	Cap, End (with 3/4-16 O-ring Ports (2))	1	
	21387-002	21387-002	21387-002	Cap, End (with 3/4-16 O-ring Ports (2) and 7/16-20 O-ring Drain Port)	1	
	21387-003	21387-003	21387-003	Cap, End (with G 1/2 (BSP) Ports (2) and G 1/4 (BSP) Drain Port)	1	
X 18	14488-000**	14488-000**	14488-000**	Seal, Washer	7	
19	*	*	*	Screw, Cap (6 Point (E10) Drive 5/16-24 UNF) (End Ported— Qty. 5)	7	
20	9072-003	9072-003	9072-003	Plug/ O-ring (7/16-20 Drain Port)	1	
X	250003-904	250003-904	250003-904	O-ring for 7/16-20 Drain Port Plug	1	
	9170-002	9170-002	9170-002	Plug/O-ring (G 1/4 (BSP) Drain Port)	1	
	—	—	—	O-ring for G 1/4 (BSP) Drain Port Plug	1	
21	9072-007	9072-007	9072-007	Plug/ O-ring, Housing (7/8-14 Plug S/A used w/End Ported Motors)	2	
X	250003-910	250003-910	250003-910	O-ring for 7/8-14 Housing Port Plug	2	
	9179-007	9179-007	9179-007	Plug/ O-ring (Viton), Housing (7/8-14 Plug S/A used w/End Ported Motors)	2	
	250017-910	250017-910	250017-910	O-ring (Viton) for 7/8-14 Housing Port Plug	2	
24	—	—	45-000	Drive (Displ. 739 [45.1] Only)	1	
25	—	—	6901-002	Spacer (Displ. 739 [45.1] Only)	1	
26	—	—	6901-009	Spacer (Displ. 739 [45.1] Only)	1	
YY	*	*	N/A	Spacer	1	
31			201137-001	Sensor, Speed (127mm [5.0 in.] Lead Wire)	1	
Seal Kit	60023-000	60540-000	60540-000	Seal Kit (Buna N) — Contains Parts Indicated by X		
	60032-000	60545-000	60545-000	Seal Kit (Viton) — Contains Parts Indicated by X (Part No.s Differ from those Shown)		
Mounting Kit	123-1007	123-1007	123-1007	Base Block Mounting Kit (1/2 NPTF Ports (Manifold Mount Motors Only))		
	123-1008	123-1008	123-1008	Base Block Mounting Kit (7/8-14 O-ring Ports (Manifold Mount Motors Only))		
X A	15058-000	15058-000	15058-000	Seal, O-ring (2)		
	B	267512-019	267512-019	267512-019	Screw, Cap (5/16-18 Thread (4))	
		—	—	14474-003	Screw, Cap (M8 x 1.5) Thread (4))	

* See Chart on Page 2

** Used with 12 Point Cap Screws Only (Replacement Screws are 6 Point (E10) Drive, no Seal Washer Required).

H Series Motors

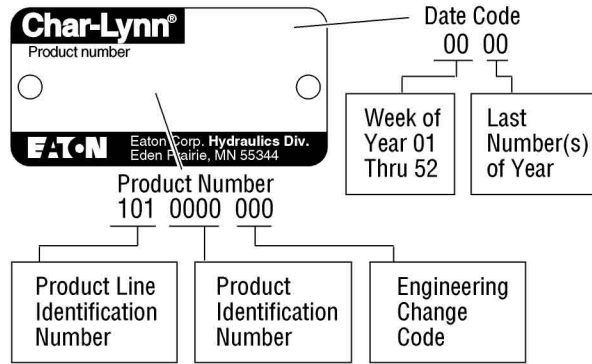
How to Order Replacement Parts

Each Order Must Include the Following:

- | | |
|-------------------|----------------------|
| 1. Product Number | 4. Part Number |
| 2. Date Code | 5. Quantity of Parts |
| 3. Part Name | |

For More Detailed Information Contact Eaton Corp. Hydraulics Division 15151 Highway 5 Eden Prairie, MN 55344.

- Specifications and performance data, Catalog No. 11-885
- When servicing H Series Motors refer to Repair Information No. 7-117. This repair manual lists tools required, and step by step disassembly and reassembly procedures.



Eaton
Fluid Power Group
Hydraulics Business USA
14615 Lone Oak Road
Eden Prairie, MN 55344
USA
Tel: 952-937-9800
Fax: 952-294-7722
www.eaton.com/hydraulics

Eaton
Fluid Power Group
Hydraulics Business Europe
Route de la Longeraie 7
1110 Morges
Switzerland
Tel: +41 (0) 21 811 4600
Fax: +41 (0) 21 811 4601

Eaton
Fluid Power Group
Hydraulics Business Asia Pacific
11th Floor Hong Kong New World Tower
300 Huaihai Zhong Road
Shanghai 200021
China
Tel: 86-21-6387-9988
Fax: 86-21-6335-3912